



**Metrologic**<sup>®</sup>  
We really work for you.<sup>™</sup>

## SP5650 **OptimusRW**<sup>™</sup>

The Metrologic OptimusRW WiFi mobile computer provides a rugged solution for real-time data transfer in demanding warehouse and distribution environments.

With an IP rating of 65, OptimusRW can take a slamming and keep on scanning.

This stylish and ergonomic mobile computer integrates with standard wireless (802.11b) networks for long range, real-time data transfer up to 250 meters. It can also handle any batch data collection applications.

OptimusRW features easy navigation and software development tools to make customizing applications for even the toughest data-collection challenges a snap. Optimizer software quickly configures mobile computer programs and DataOptimizer software makes long-range, wireless data transfer to existing databases painless.

OptimusRW symbolizes Metrologic's increased efforts to expand its mobile computer product line. Metrologic will continue to develop products that enhance its hard-earned reputation for excellence.

With the OptimusRW, dusty, damp warehouses never looked so inviting.

[www.metrologic.com](http://www.metrologic.com)

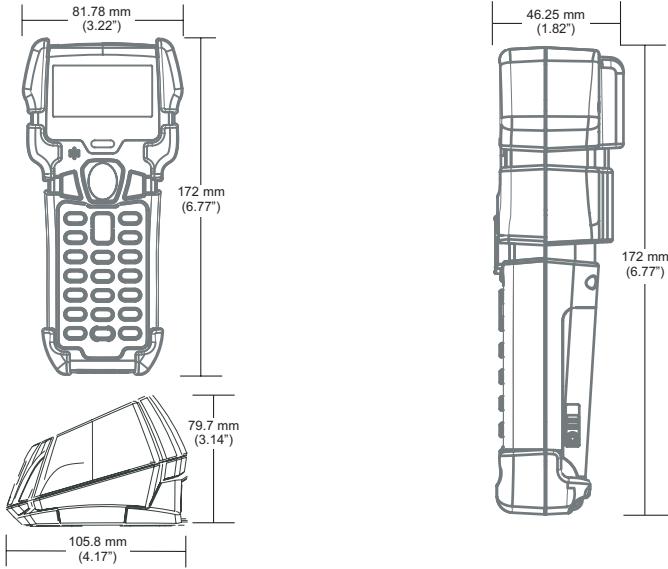


### FEATURES

- Wireless (802.11b) communication option
- IP65 Rating
- Working range of 250 meters
- WEP and EAP security
- Terminal Emulation

### BENEFITS

- Compatibility with existing wireless networks for easy integration
- Engineered to function in demanding environments
- Long range real-time data transfer allows greater flexibility for data collection
- Protects company information from outside sources
- Adaptable to older network systems



**OPERATIONAL**

<b>System</b>	
CPU	16-bit CMOS, low power consumption
Program Memory	2 MB flash ROM
Data Memory	256 kB SRAM (optional 2, 4 or 8 MB)
Display	LCD - 128 x 64 pixels, back-lit
Resolution	8 lines x 20 characters (max), 4 lines x 15 characters (min)
Keypad	24 rubber keys; alpha/numeric, function, scanner (optional 39 keys)
Indicators	Buzzer - programmable audible indicator (1 KHz - 4KHz) LED - Dual-color, programmable green and red
Communication (Unit)	RS232, USB, 802.11b or Cradle IR
Communication (Cradle)	RS232, USB
Application Development	Windows-based Optimizer; DataOptimizer, Terminal Emulation, Optional C & BASIC compilers

**MECHANICAL**

Weight	140 g (4.9 oz) - including batteries
--------	--------------------------------------

**ELECTRICAL**

Battery Operation	Li-ion
Battery Backup	3.0V, 7.0mA hours, rechargeable lithium battery
Operation	Over 16 hours
EMC regulation	FCC Class A, CE and C-Tick approved

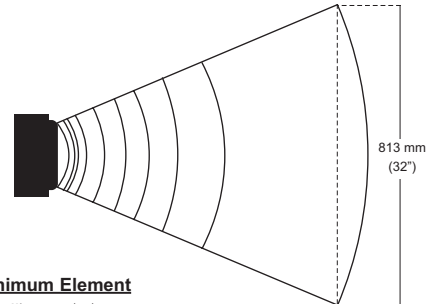
**ENVIRONMENTAL**

Operating Temperature	0°C to 50°C (32°F to 122°F)
Storage Temperature	-30°C to 60°C (-22°F to 140°F)
Humidity	5% to 95% relative humidity, non-condensing
Shock resistance	1.2 m (4') drop onto concrete

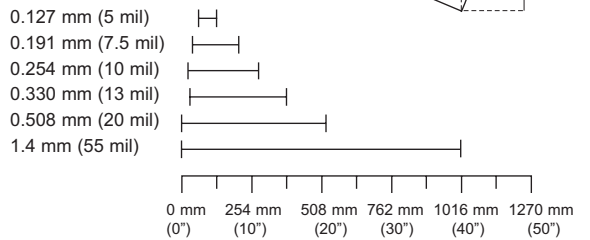
**SCAN PERFORMANCE**

<b>Laser Scanner</b>	
Visible Laser Diode	650 nm
Minimum Bar Width	0.127 mm (5.0 mil)
Width of Scan Field	305 mm (12") @ 381 mm (15")
Depth of Scan Field	51 mm - 381 mm (2" - 15") for 0.33 mm (13 mil) bar codes
Scan Speed	42 scan lines per second
Print Contrast	35% minimum reflective difference

**Scan Area**



**Bar Code Minimum Element**



Product Colors Available



Optimus is available in a variety of other colors with minimum quantity purchase



Sunrise 2005 Compliant



www.metrologic.com  
**ISO 9001:2000**

Metrologic Instruments, Inc. | **Worldwide Headquarters**  
90 Coles Road | Blackwood, NJ 08012-4683 | info@metrologic.com  
Telephone 856-228-8100 | Fax 856-228-6673

<b>Asian Headquarters</b> Tel. 65.6842.7155 info@sg.metrologic.com	<b>European Headquarters</b> Tel. 49.89.89019.0 info@eu.metrologic.com	<b>The Americas Headquarters</b> Tel. 1.800.ID.METRO info@us.metrologic.com
--	--	---

Specifications subject to change without notice.  
Printed U.S.A., Copyright September 2006  
Metrologic, All rights reserved.



DS5650